

Corner Strain Gages (KFGS-NE)

A new gage has been added to the KFGS gages, with the margin at the tip removed as much as possible.

Measure as close as possible to stress concentration areas.

*The tip is further shortened by 0.1 mm with this renewal.



Point

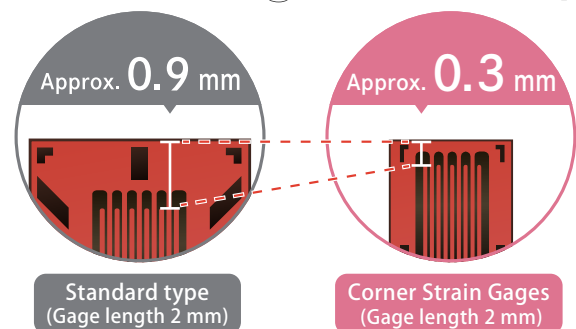
Point 1 Tip

The length from the tip of the strain gage to the sensor part is short, so it can be attached as close to the end as possible.

Point 2 Variations

Since it is based on our general-purpose strain gage, it can be used with a variety of sizes and materials.

Shorten the length to the sensor part



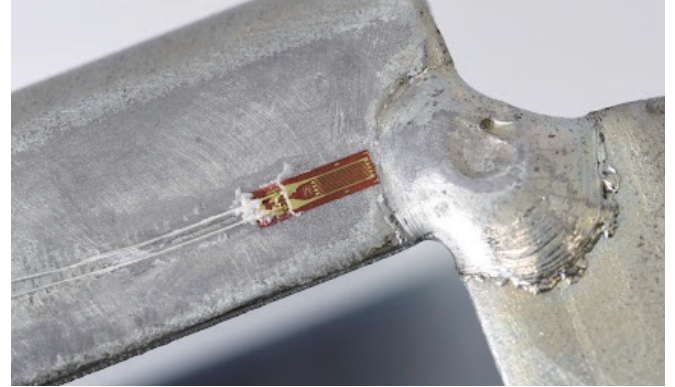
Gage length	Linear expansion coefficient	Lead wire
 1 mm	 11 : Common Steel	Types • Vinyl-coated flat 2-wire cable • Vinyl-coated flat 3-wire cable, etc.
 2 mm	 16 : Stainless Steel	
 3 mm	 23 : Aluminum Alloy	
	 27 : Magnesium	

*The corner strain gage is using a narrow type strain gage.

Bonding image

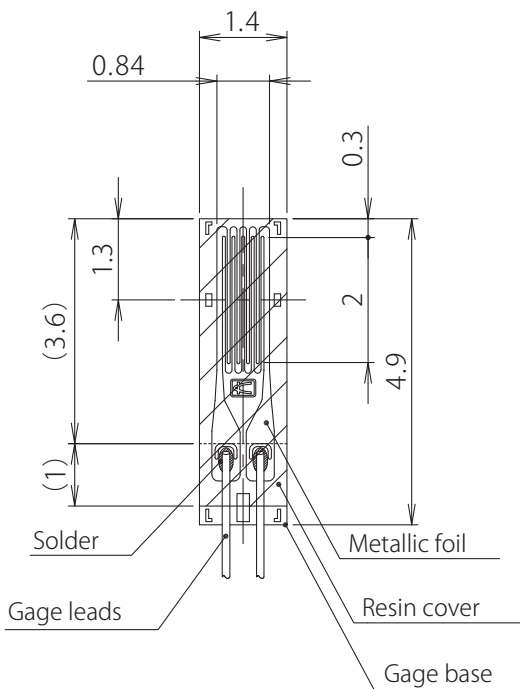
It is possible to attach strain gages as close as possible to stress concentration areas such as welds.

*The photo shows a corner strain gage with a total length of 4.9 mm and a gage length of 2 mm.



Dimensions and main specifications

KFGS-2NE-120-C1



Unit: mm

Models	KFGS-ONE-120-C1-□ *○: Gage length *□: Applicable linear expansion coefficients	
Gage Length	1, 2, 3 mm	
Resistance	120 Ω	
Gage Factor	Approx. 2.1	
Materials	Resistive elements	CuNi alloy foil
	Bases	Polyimide
Operating Temperature in Combination with Major Adhesives after Curing (°C)	CC-33A: -196 to 120°C CC-35: -30 to 120°C CC-36: -30 to 100°C EP-340: -55 to 150°C PC-600: -196 to 150°C	
Operating Temperature in Combination with Major Lead-wire Cables (°C)	Polyester-coated copper wires: -196 to 150°C Vinyl-coated flat wire cables (L-6, L-7): -10 to 80°C Mid-temperature wire cables (L-11, L-12): -100 to 150°C	
Self-temperature-compensation (°C)	10 to 100°C	
Applicable Linear Expansion Coefficients (× 10 ⁻⁶ /°C)	11, 16, 23, 27	
Strain Limits at Normal Temp.	Approx. 5.0%	
Fatigue Lives at Normal Temp.	1.2 × 10 ⁷ times	

KYOWA ELECTRONIC INSTRUMENTS CO., LTD.

Global Sales Department:
3-5-1, Chofugaoka, Chofu, Tokyo 182-8520 Japan
TEL: +81-42-489-7220 FAX: +81-42-488-1122
E-mail: support-en@kyowa-ei.co.jp
Website: www.kyowa-ei.com

⚠ Safety Precautions

- Be sure to observe the safety precautions given in the instruction manual, in order to ensure correct and safe operation.
- Do not use in locations subject to significant water, dampness, steam, dust, or flammable gases.
Doing so may lead to fire, electrical shock, or malfunction.

- Specifications and designs are subject to change without notice.
- Please contact us if using the detailed products for special applications.
- Detailed company and product names are the trademarks or registered trademarks of their respective owners.
- The warranty details can be found on the "Product Warranty" attached to the product and on the following website.
- Unauthorized use or reproduction of contents of this catalog are prohibited.

